

ATNS

Advanced Telecommunications Network Systems

7 Whitelawn Avenue • Milton, MA 02186

(617) 553-0778

Ed Alvera
WFXT
Needham, MA

March 18, 1992

Dear Ed:

Enclosed is the proposal for installation of the 7-meter earth station receive antenna.

The price, as proposed, includes excavation for foundation, providing and setting of forms, rebar and concrete, cutting access in building wall for power, control and receive lines, erection, assembly and orientation of dish.

I have also included explanatory drawings.

If you have any questions, please feel free to call.

Sincerely,



Alfred W. Trenkler
Director of Engineering

DEFENDANT'S
EXHIBIT
146 ID

PROPOSAL

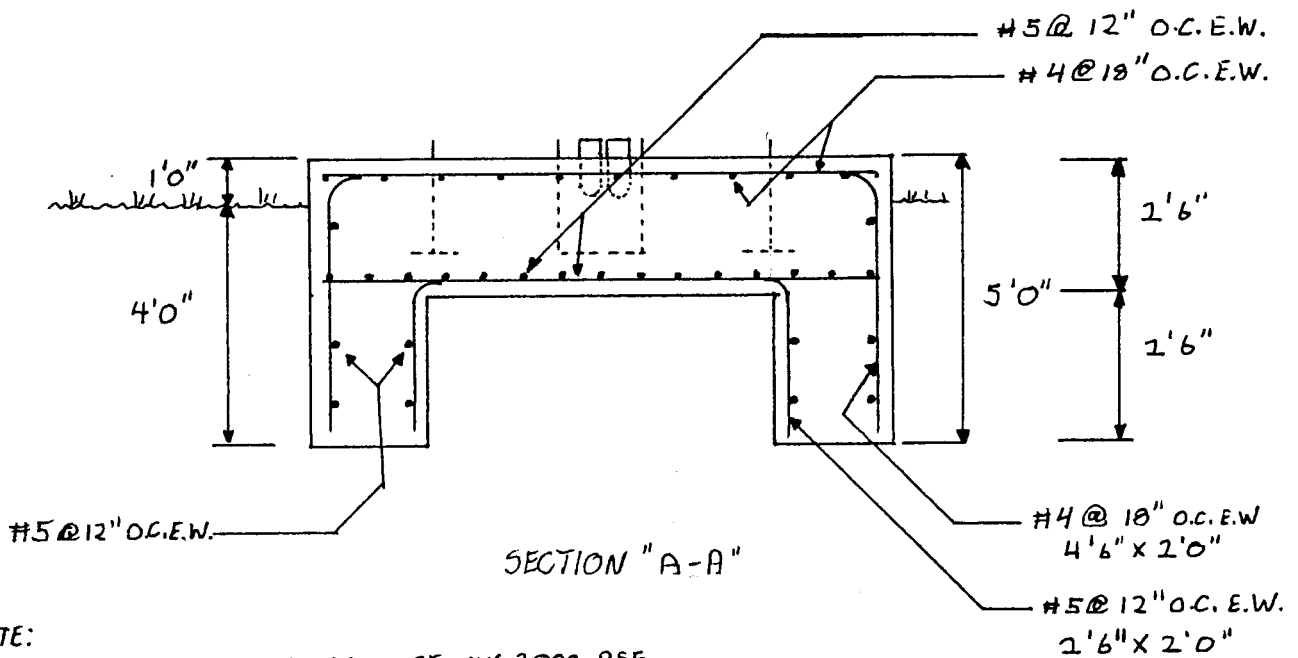
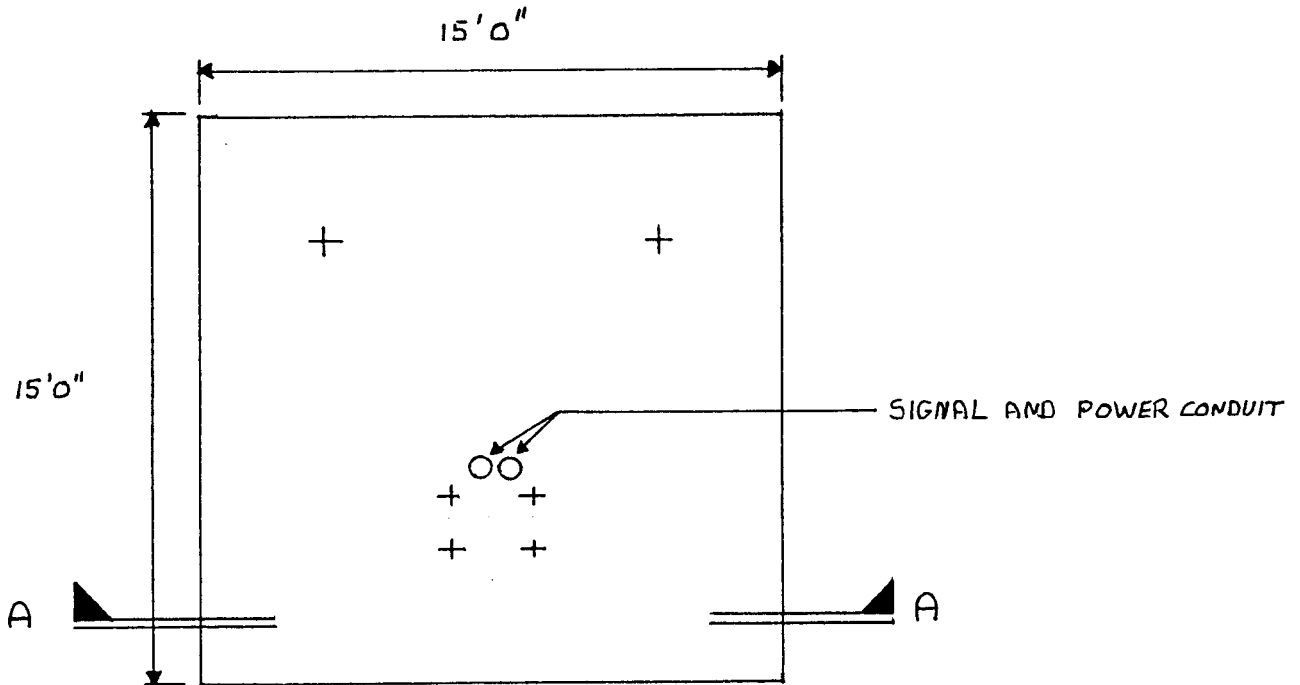
Advanced Telecommunications Network Systems, hereafter ATNS, proposes to provide all the equipment and labor necessary to complete the installation of a 7-meter satellite earth station receive antenna in a manner specified in the attached drawings and specifications and as itemized below:

1. Excavation of foundation
2. Provision and building of forms
3. Provision and setting of rebar
4. Setting of mounting bolts
(template and bolts per FXT)
5. Provision and setting of concrete
6. provision of crane
7. Provision of all necessary labor
8. Boring of wall for power and signal
9. Orientation of dish

The total price for this project is \$15,960.00, with the proposed payment schedule as follows:

55% upon signing of contract	\$8,778.00
22.5% upon completion	3,591.00
22.5% net 15 days upon completion	<u>3,591.00</u>
	\$15,960.00

7 METER DISH FOUNDATION



NOTE:

1. SOIL BEARING PRESSURE TO BE MIN 2000 PSF
2. CONCRETE TO BE 3000 PSI COMPRESSIVE STRENGTH @ 28 DAYS
3. REINFORCING BARS TO BE GRADE 60 FOR #4 AND ABOVE
4. ANCHOR BOLTS TO BE TIED NOT WELDED
5. FROST LINE TO BE MAX OF 2'6" BELOW FINISHED GRADE
6. FOOTING DESIGNED FOR 150 MPH WINDS