

ATNS

Advanced Telecommunications Network Systems

7 Whitelawn Avenue • Milton, MA 02186

(617) 553-0778

Ed Alvera
WFXT
Needham, MA

March 18, 1992

Dear Ed:

Enclosed is the proposal for installation of the 7-meter earth station receive antenna.

The price, as proposed, includes excavation for foundation, providing and setting of forms, rebar and concrete, cutting access in building wall for power, control and receive lines, erection, assembly and orientation of dish.

I have also included explanatory drawings.

If you have any questions, please feel free to call.

Sincerely,



Alfred W. Trenkler
Director of Engineering

PROPOSAL

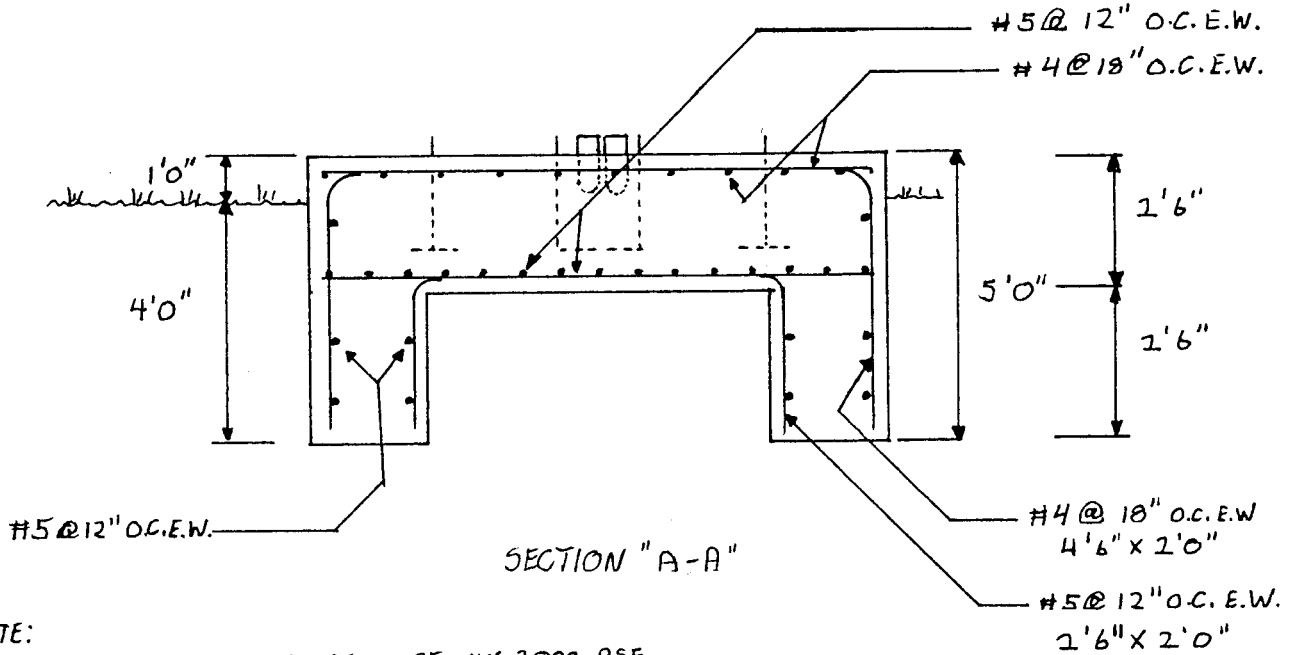
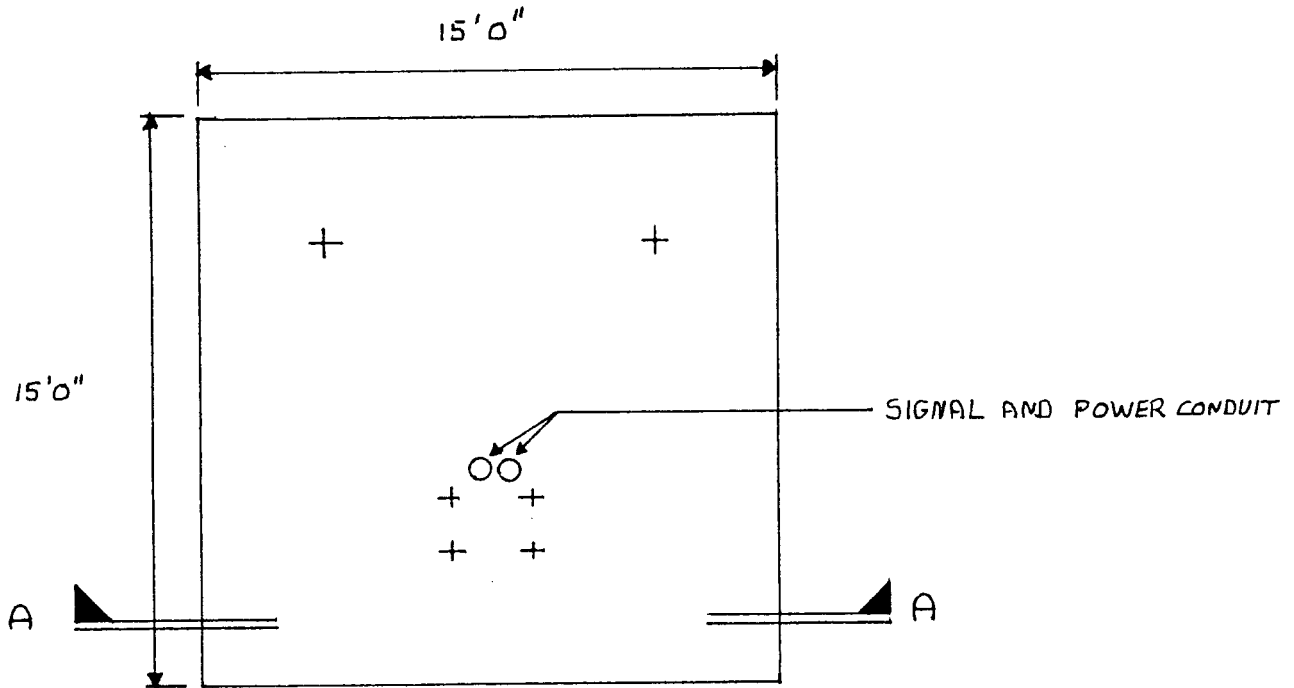
Advanced Telecommunications Network Systems, hereafter ATNS, proposes to provide all the equipment and labor necessary to complete the installation of a 7-meter satellite earth station receive antenna in a manner specified in the attached drawings and specifications and as itemized below:

1. Excavation of foundation
2. Provision and building of forms
3. Provision and setting of rebar
4. Setting of mounting bolts
(template and bolts per FXT)
5. Provision and setting of concrete
6. provision of crane
7. Provision of all necessary labor
8. Boring of wall for power and signal
9. Orientation of dish

The total price for this project is \$15,960.00, with the proposed payment schedule as follows:

| | |
|-----------------------------------|-----------------|
| 55% upon signing of contract | \$8,778.00 |
| 22.5% upon completion | 3,591.00 |
| 22.5% net 15 days upon completion | <u>3,591.00</u> |
| | \$15,960.00 |

7 METER DISH FOUNDATION



NOTE:

1. SOIL BEARING PRESSURE TO BE MIN 2000 PSF
2. CONCRETE TO BE 3000 PSI COMPRESSIVE STRENGTH @ 28 DAYS
3. REINFORCING BARS TO BE GRADE 60 FOR #4 AND ABOVE
4. ANCHOR BOLTS TO BE TIED NOT WELDED
5. FROST LINE TO BE MAX OF 2'6" BELOW FINISHED GRADE
6. FOOTING DESIGNED FOR 150 MPH WINDS

ATNS

Advanced Telecommunications Network Systems

7 Whitelawn Avenue • Milton, MA 02186
(617) 553-0778

Ed Alvera
WFXT
Needham, MA

March 18, 1992

Dear Ed,

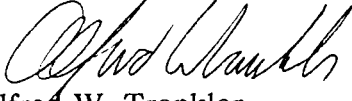
Enclosed is the proposal for both the 3.8-meter and 5.0-meter receiver-only dishes.

The price, as proposed, includes all the labor, hardware and equipment necessary to remove the dishes from the Needham site, transport to the Dedham site, install mounting bolts for the dishes, fabricate and galvanize a 5" OD mast and mounting flange for the 3.8-meter dish, lift dishes to the roof, bolt in place and perform orientation for both the 5- and 3.8-meter dish.

As you had mentioned to me on Thursday, March 12, 1992, you could not move both dishes at once. To accomplish this, I propose to move the 5-meter dish first, in order to use the mount as a drilling template, and bolt in place both the 5-meter dish and the fabricated mount for the 3.8-meter dish. This would put the 5-meter dish in service at the Dedham site, enabling us to move the 3.8-meter dish intact on the trailer to which it is currently mounted. This plan would ensure the use of one satellite receiver at both sites, ending with both receiver dishes installed at the Dedham site.

I have also included some explanatory drawings. If there are any questions, please feel free to call.

Sincerely,


Alfred W. Trenkler
Director of Engineering

PROPOSAL

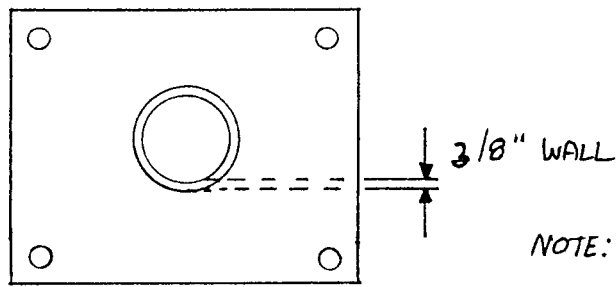
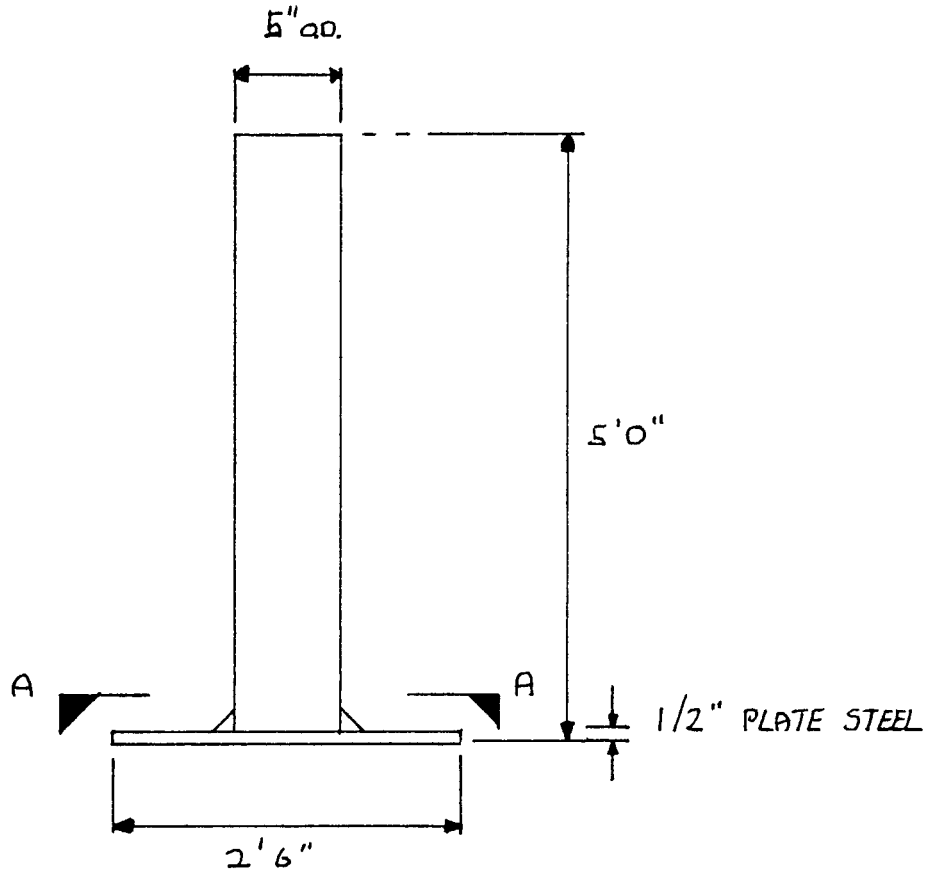
Advanced Telecommunications Network Systems, hereafter ATNS, proposes to provide all the equipment and labor necessary to complete the relocation of a 3.8- and 5.0-meter receive dish in a manner specified in the attached drawings and specifications and as itemized below:

1. Removal of 3.8- and 5.0-meter receive dish(es)
2. Provision of drilling equipment
3. Provision of mounting bolts
4. Provision of concrete for mounting bolts
5. Provision of crane for removal and installation of dish(es)
6. Provision of all necessary labor
7. Orientation of both dishes
8. Provide, fabricate and hot-dip-galvanize mounting pipe and flange assembly for 3.8-meter dish mount
9. Provision of flatbed truck for transport of 5-meter dish
10. Provision of vehicle to tow 3.8-meter dish trailer to Dedham

The total price for this project is \$9,987.00, with the proposed payment schedule as follows:

| | |
|-----------------------------------|-----------------|
| 55% upon signing of contract | \$5,492.85 |
| 22.5% upon completion | 2,247.08 |
| 22.5% net 15 days upon completion | <u>2,247.07</u> |
| | \$9,987.00 |

PIPE MOUNT FOR 3.8 METER RECEIVE DISH

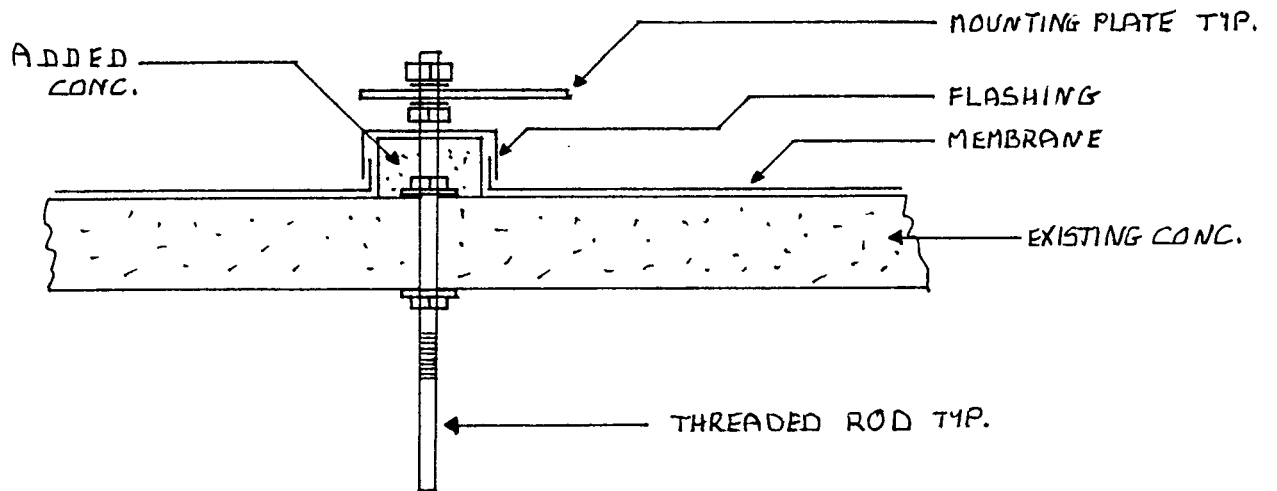


SECTION "A-A"

NOTE:

1. WELDMENT PER ANSI/AWS D1.1
2. US OR CANADIAN STEEL ONLY
3. HOT DIP GALVANIZE PER ASTM A123, A143, A153, A384, A385 AND A780

TYPICAL MOUNTING BOLT FOR 3.8 AND 5.0 METER DISH



NOTE

1. ADDED CONCRETE TO BE 3000 PSI @ 28 DAYS
2. THREADED ROD TO BE CERTIFIED US OR CANADIAN STEEL
3. ALUMINUM ROOF DECKING NOT SHOWN